

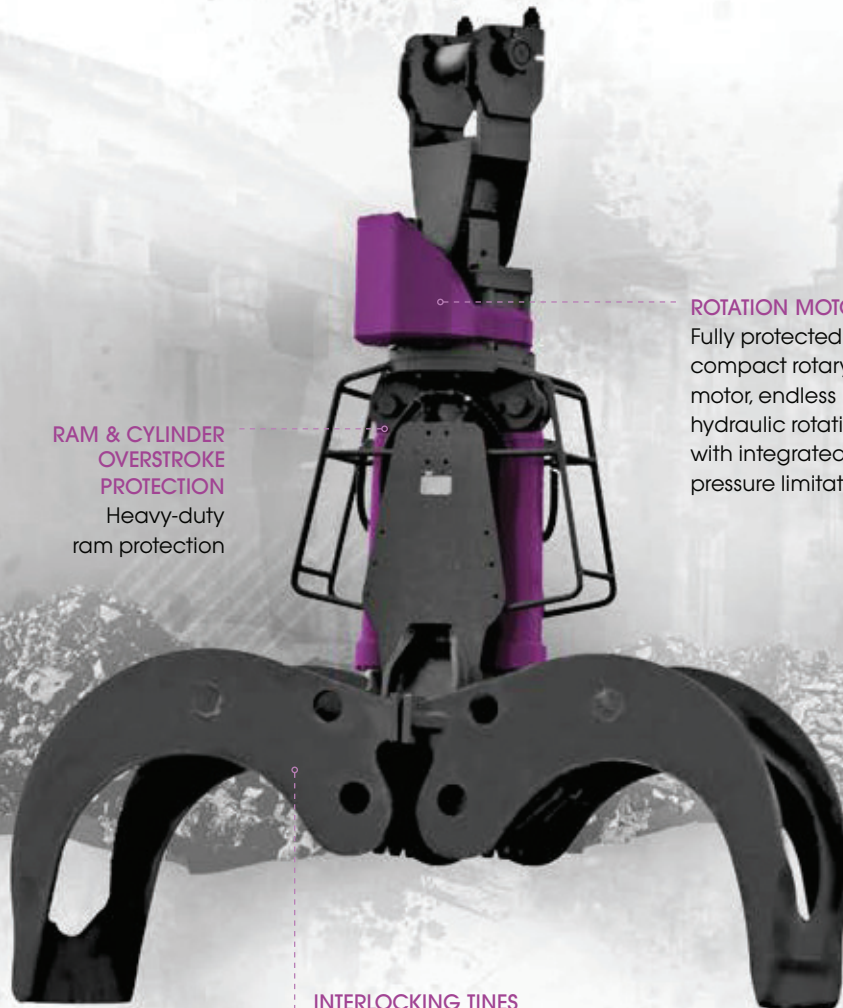
# TIMBER GRABS

**PRODEM OFFER TWO STYLES OF TIMBER GRABS SUITABLE FOR MATERIAL HANDLERS AND EXCAVATORS FROM 2-65 TON OPERATING WEIGHT.**

**THE PRODEM TIMBER GRABS CAN BE CUSTOMISED TO SUIT MOST APPLICATIONS AND REQUIREMENTS.**

## BENEFITS OF PRODEM TIMBER GRABS

- >> Heavy-duty ram and cylinder overstroke protection
- >> Fully protected compact rotary motor - endless hydraulic rotation with integrated pressure limitation
- >> Interlocking tines allowing a tight clamping of the log or trunk
- >> Built using wear-resistant quality materials for maximum durability



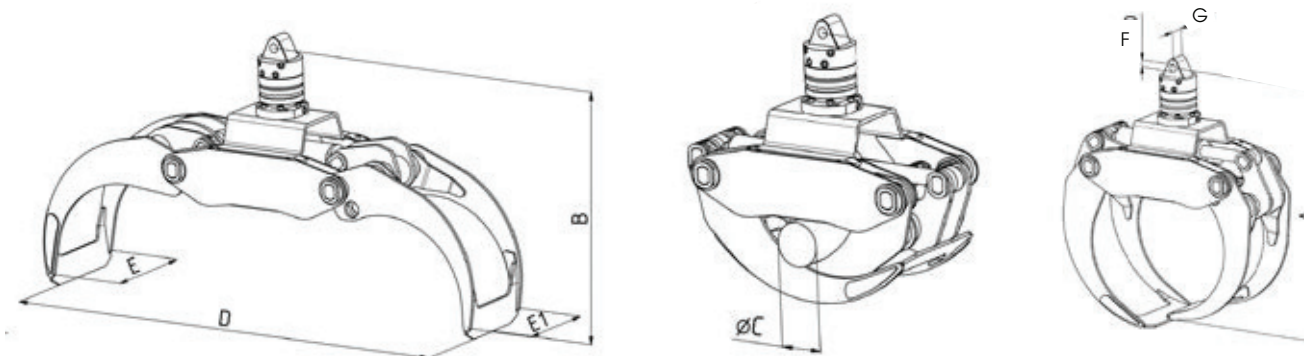
**RAM & CYLINDER OVERSTROKE PROTECTION**  
Heavy-duty ram protection

**ROTATION MOTOR**  
Fully protected compact rotary motor, endless hydraulic rotation with integrated pressure limitation

**INTERLOCKING TINES**  
Allowing a tight clamping of the log or trunk

**WEAR RESISTANT QUALITY MATERIALS**  
Used for maximum durability and minimum downtime

TECHNICAL SPECIFICATION



Model	Excavator Weight Class (t)	Material Handler Weight Class (t)	Working Weight (kg)	Volume (m <sup>3</sup> )	Max Grab Capacity (t)	Max Load - Rotation (t)	Max Operating Pressure - Rotation (bar)	Max Operating Pressure - Open/Close (bar)	Height A - Closed (mm)	Height B - Open (mm)	Min. Log Diameter C (mm)	Max Opening D (mm)	E/E1 (mm)	Mounting Pin Diameter F (mm)	Rotation connection Width G (mm)
TG028-L	2-7	2-7	185	0.28	4	4	250	250	1060	980	90	1280	335/375	30	84
TG035-L	2-7	2-7	235	0.35	4	4	250	250	1190	1115	100	1950	470/520	30	84
TG040	8-14	8-14	455	0.4	5	5	250	250	1355	1140	150	1085	460/530	45	101
TG050	8-14	8-14	485	0.5	5	5	250	250	1420	1180	180	1145	460/530	45	101
TG4-500	15-21	18-25	965	0.5	4	15	140	350	2460	2010	150	1820	660/520	70	114
TG4-650	15-21	18-25	1015	0.65	4	15	140	350	2540	2050	150	1950	660/520	70	114
TG4-800	15-21	18-25	1085	0.8	4	15	140	350	2710	2135	200	2255	860/660	70	114
TG4-1000	15-21	18-25	1145	1	4	15	140	350	2820	2190	210	2445	860/660	70	114
TG4.6-800	20-30	22-35	1400	0.8	6	15	140	350	2880	2215	50	2380	840/700	70	114
TG4.6-1000	20-30	22-35	1480	1	6	15	140	350	2950	2265	90	2540	840/700	70	114
TG4.6-1250	20-30	22-35	1530	1.25	6	15	140	350	3080	2310	110	2765	840/700	70	114
TG4.6-1500	20-30	22-35	1540	1.5	6	15	140	350	3200	2350	125	2990	840/700	70	114
TG4.6-1750	20-30	22-35	1715	1.75	6	15	140	350	3310	2400	150	3190	840/700	70	114
TG4.6-2000	20-30	22-35	1915	2	6	15	140	350	3435	2435	240	3390	840/700	70	114
TG5.6-1250	30-45	35-65	2200	1.25	12	26	140	350	3280	2480	100	2825	840/700	80	149
TG5.6-1500	30-45	35-65	2240	1.5	12	26	140	350	3405	2525	120	3055	840/700	80	149
TG5.6-1750	30-45	35-65	2300	1.75	12	26	140	350	3520	2565	140	3275	840/700	80	149
TG5.6-2000	30-45	35-65	2350	2	12	26	140	350	3630	2600	150	3485	840/700	80	149
TG5.6-2500	30-45	35-65	2470	2.5	12	26	140	350	3900	2695	170	4000	840/700	80	149