

ROTARY SCREENING BUCKET

THE PRODEM RANGE OF ROTARY SCREENING BUCKETS ARE DESIGNED TO SCREEN SITE MATERIAL FOR REUSE.

Ideal for waste material selection on demolition sites, aggregate recovery on construction and building renovation sites, organic waste separation in landfill sites, filling containment cages, covering pipes in pipeline works, and much more.

BENEFITS OF PRODEM ROTARY SCREENING BUCKET

- >> Exclusive wide inlet profile to facilitate material loading
- >> Integrated high pressure relief valve to protect against pressure peaks
- >> Patented 4-piece interchangeable screening net, available in a variety of sizes (20-150mm), makes replacement quick and easy
- >> Heavy-duty slew ring with double turn bearing to support the screening bucket
- >> Drum protection - limiting wear from the elements
- >> Bolt-on wear edges making replacement simple, reducing downtime and maximising productivity
- >> PSB120R upwards also features a tapered bottom to increase the screening surface and maximise productivity

Also available in a wheel loader version.

EASY ACCESS FOR INSPECTIONS

FRAME PROTECTION FOR HYDRAULIC COMPONENTS

4 PIECE INTERCHANGEABLE SCREENING NET

DOUBLE TURN BEARING

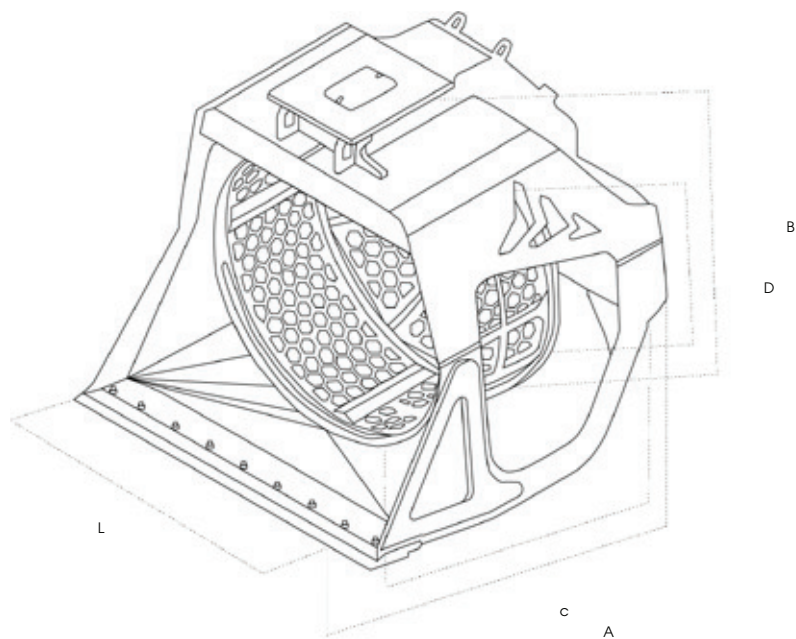
BOLT-ON WEAR EDGE

INTEGRATED HIGH PRESSURE RELIEF VALVE

EXCLUSIVE WIDE INLET PROFILE

DRUM PROTECTION

TECHNICAL SPECIFICATION



Model	Excavator Weight Class (t)	Working Weight (kg)	Depth A (mm)	Height B (mm)	Basket Width C (mm)	Basket External Diameter D (mm)	Inlet Width L (mm)	Working Capacity (M3)	Max Working Pressure (bar)	Max Oil Flow (l/min)	Swing Speed (rpm)
PSB030R	1.4 - 2.8	110	740	630	320	500	520	0.08	120	30	24/32
PSB040R	2.5 - 5.5	250	1070	805	445	640	700	0.2	120	50	18/24
PSB050R	4.5 - 9	350	1175	930	515	750	800	0.3	120	50	18/24
PSB100R	7 - 14	860	1450	1170	695	900	1100	0.4	120	60	18/24
PSB120R	12 - 18	1540	1730	1500	805	1170	1440	0.75	220	80	18/35
PSB200R	16 - 23	1570	2190	1650	925	1340	1400	0.9	220	80	18/35
PSB250R	21 - 33	2440	2080	1900	985	1560	1900	1.1	220	80	18/35
PSB300R	30 - 45	2550	2600	2000	1040	1700	1750	1.5	220	80	18/35
PSB500R	40 - 65	4900	2950	2410	1360	2000	2120	2.7	220	80	18/27